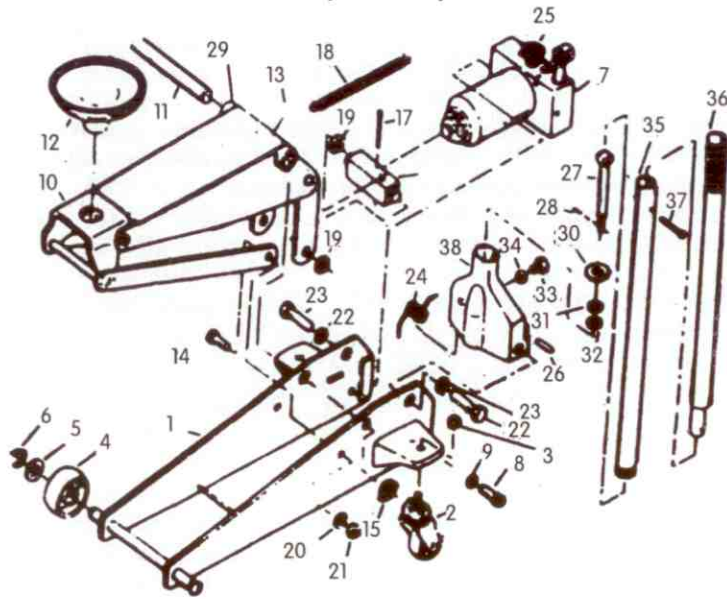
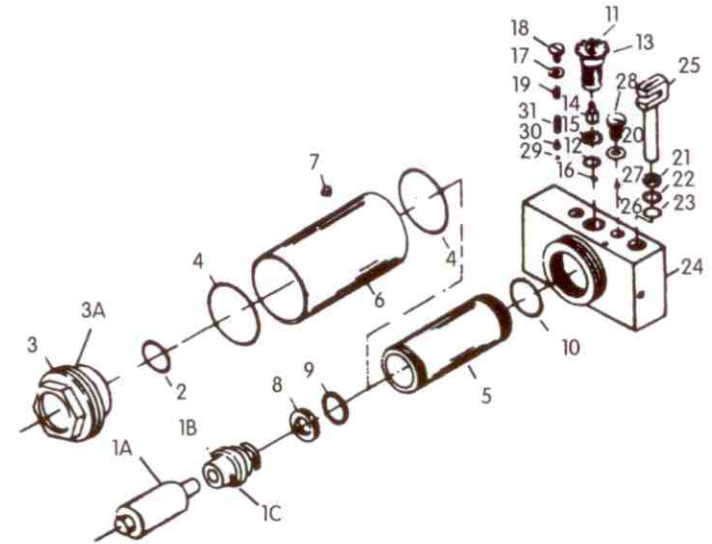


Main Body assembly



Index No.	Description	Qty	Index No.	Description	Qty
1	Side Plate	2	20	Lock Washer	2
2	Caster Assembly	2	21	Hex Nut	2
3	Lock Nut	2	22	Lock Washer	2
4	Wheel	2	23	Bolt	2
5	Washer	2	24	Torsion Spring	1
6	Retaining Ring	2	25	Release Valve Assembly	1
7	Power Unit Assembly	1	26	Plunger Pin	1
8	Screw	2	27	Gear Shaft	1
9	Lock Washer	2	28	Pin	1
10	Linkage Assembly	1	29	Lifting Arm Assembly	1
11	Shaft Arm	1	30	Release Valve Gear	1
12	Saddle	1	31	Lock Washer	1
13	Grease Fitting	1	32	Hex Nut	1
14	Bolt Link	2	33	Handle Bolt	1
15	Retaining Ring	1	34	Spacer	1
16	Ram	1	35	Handle (lower)	1
17	Pin	1	36	Handle (upper)	1
18	Return Spring	1	37	Screw	1
19	Retaining Ring	2	38	Handle Socket	1

Power Unit Assembly



Index No.	Description	Qty	Index No.	Description	Qty
1A	Ram Rod	1	16	Ball	1
1B	Ram Head	1	17	Seal Washer	1
1C	Ram Head Pin	1	18	Plug Screw	1
2	O-Ring	1	19	Overload Valve Screw	1
3	Tank Nut	1	20	Washer	1
4	O-Ring	2	21	Wiper	1
5	Cylinder	1	22	Back-up Ring	1
6	Reservoir	1	23	O-Ring	1
7	Oil fill Plug	1	24	Valve Block	1
8	O-Ring Retaining	1	25	Plunger	1
9	O-Ring	1	26	Ball	1
10	O-Ring	1	27	Ball	1
11	Gear Retaining Nut	1	28	Plug Screw	1
12	O-Ring	1	29	Ball	1
13	Release Valve Assembly	1	30	Plunger	1
14	Actuator	1	31	Spring	1
15	Guide Plate	1		Repair Kit (nor shown)	1