

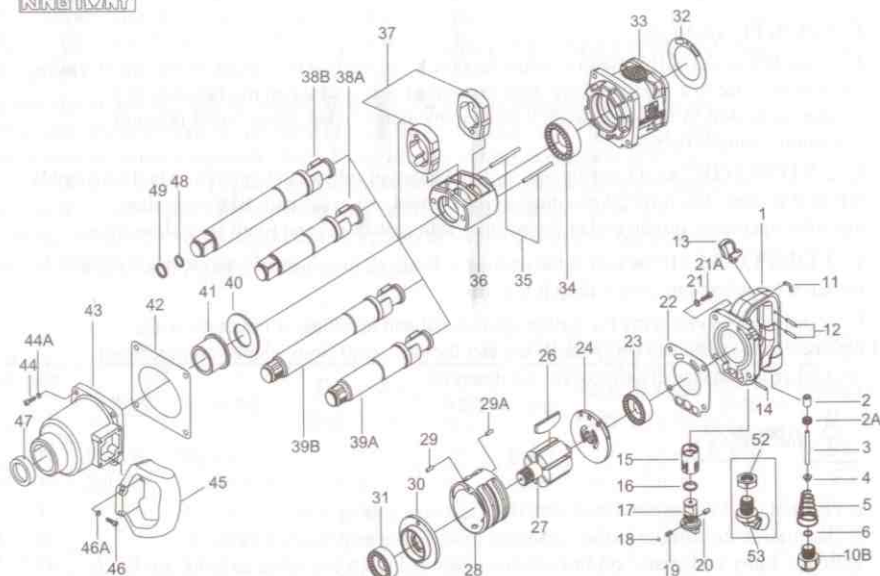
1" SQ.DR. IMPACT WRENCH

"NEW PATENT"
"TWIN HAMMER" MECHANISM

www.szigabt.hu

ITEM No. 33812-150

33812-180



INDEX NO.	DESCRIPTION	REQ'D NO.	INDEX NO.	DESCRIPTION	REQ'D NO.
01	TRIGGER HANDLE	1	30	FRONT END PLATE	1
02	THROTTLE VALVE BUSHING	1	31	FRONT END BEARING	1
02A	THROTTLE VALVE SEAT	1	32	END PLATE GASKET	1
03	THROTTLE VALVE PLUNGER	1	33	MOTOR HOUSING	1
04	THROTTER VALVE	1	34	BEARING	1
05	THROTTLE VALVE SPRING	1	35	HAMMER PIN	2
06	O-RING	1	36	HAMMER FRAME	1
10B	AIR INLET	1	37	HAMMER	2
11	RUBBER CAP (FOR INSIDE TRIGGER)	1	38A	STANDARD ANVIL	1
12	TRIGGER PIN	2	38B	6" EXTENDED ANVIL	1
13	TRIGGER	1	39A	SPLINE DRIVE ANVIL	1
14	PIN	1	39B	6" SPLINE DRIVE ANVIL	1
15	REVERSE VALVE BUSHING	1	40	THRUST WASHER	1
16	O-RING	1	41	HAMMER CASE BUSHING	1
17	REVERSE VALVE	1	42	HAMMER CASE GASKET	1
18	STEEL BALL	1	43	HAMMER CASE	1
19	SPRING	1	44	HAMMER CASE CAP SCREW	4
20	PIN	1	44A	WASHER	4
21	WASHER	4	45	SIDE SPADE HANDLE	1
21A	SCREW	4	46	SCREW	4
22	HANDLE GASKET	1	46A	WASHER	4
23	REAR MOTOR BEARING	1	47	HAMMER CASE SEAL	1
24	REAR END PLATE	1	48	SOCKET RETAINER O-RING	1
26	ROTOR BLADE	6	49	SOCKET RETAINER	1
27	ROTOR	1	52	ANGLE AIR INLET NUT (SELECT)	1
28	CYLINDER	1	53	AIR INLET (SELECT)	1
29	PIN	1	TK	TUNE-UP KIT	
29A	PIN	1		INC. 02A,16	