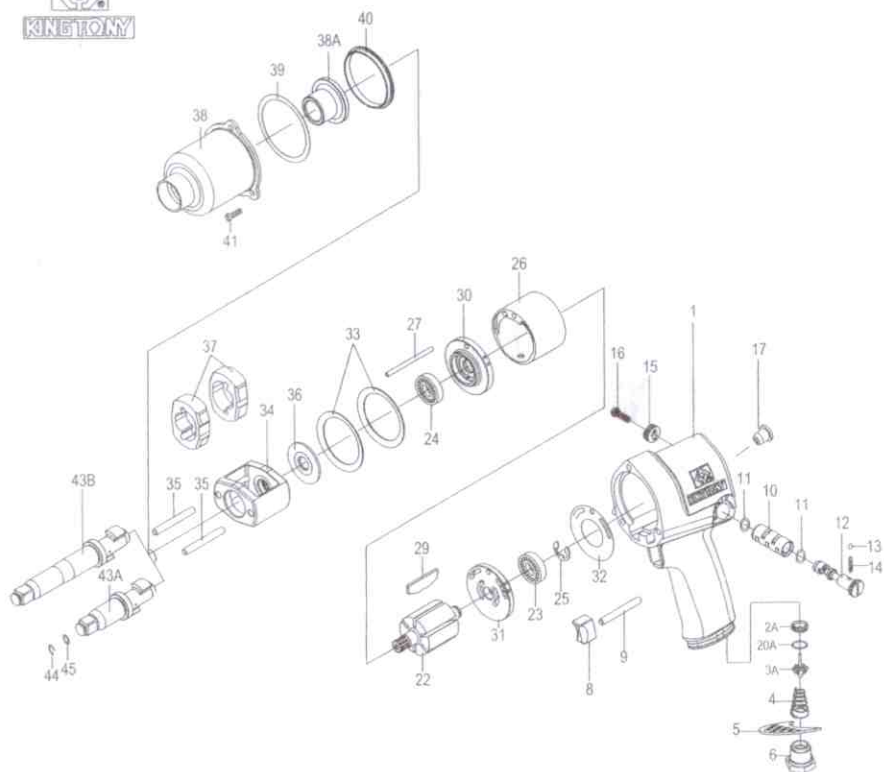


1/2" SQ.DR IMPACT WRENCH

ITEM No. 33411-040



INDEX NO.	DESCRIPTION	REQ'D NO.	INDEX NO.	DESCRIPTION	REQ'D NO.
01	MOTOR HOUSING ASSEMBLY	1	27	CYLINDER DOWEL	1
02A	THROTTLE VALVE	1	29	ROTOR BLADE	6
03A	THROTTLE VALVE FACE	1	30	FRONT END PLATE	1
04	THROTTLE VALVE SPRING	1	31	REAR END PLATE	1
05	THROTTLE VALVE STEM	1	32	END PLATE GASKET	1
06	AIR STRAINER ASSEMBLY	1	33	MOTOR CLAMP WASHER	2
08	TRIGGER	1	34	HAMMER FRAME	1
09	TRIGGER PIN	1	35	HAMMER PIN	2
10	REVERSE VALVE BUSHING	1	36	HAMMER FRAME REAR WASHER	1
11	REVERSE VALVE BUSHING SEAL	2	37	HAMMER	2
12	REVERS VALVE	1	38	HAMMER CASE	1
13	REVERS VALVE DETENT BALL	1	38A	HAMMNER CASE BUSHING	1
14	REVERS VALVE DETENT SPRING	1	39	HAMMER CASE GASKET	1
15	REVERSE VALVE KNOB	1	40	HAMMER CASE PILOT	1
16	REVERSE VALVE KNOB SCREW	1	41	HAMMER CASE CAP SCREW	3
17	GREASE FITTING	1	43A	STANDARD ANVIL	1
20A	O-RING	1	43B	2"EXTENDED ANVIL	1
22	ROTOR	1	44	SOCKET RETAINER	1
23	REAR ROTOR BEARING	1	45	RETAINER O-RING	1
24	REAR ROTOR BEARING	1			
25	REAR ROTOR BEARING RETAINER	1			
26	CYLINDER	1			
			TK	TUNE-UP KIT INC. 11,13,17,21,37	

2003-01-03